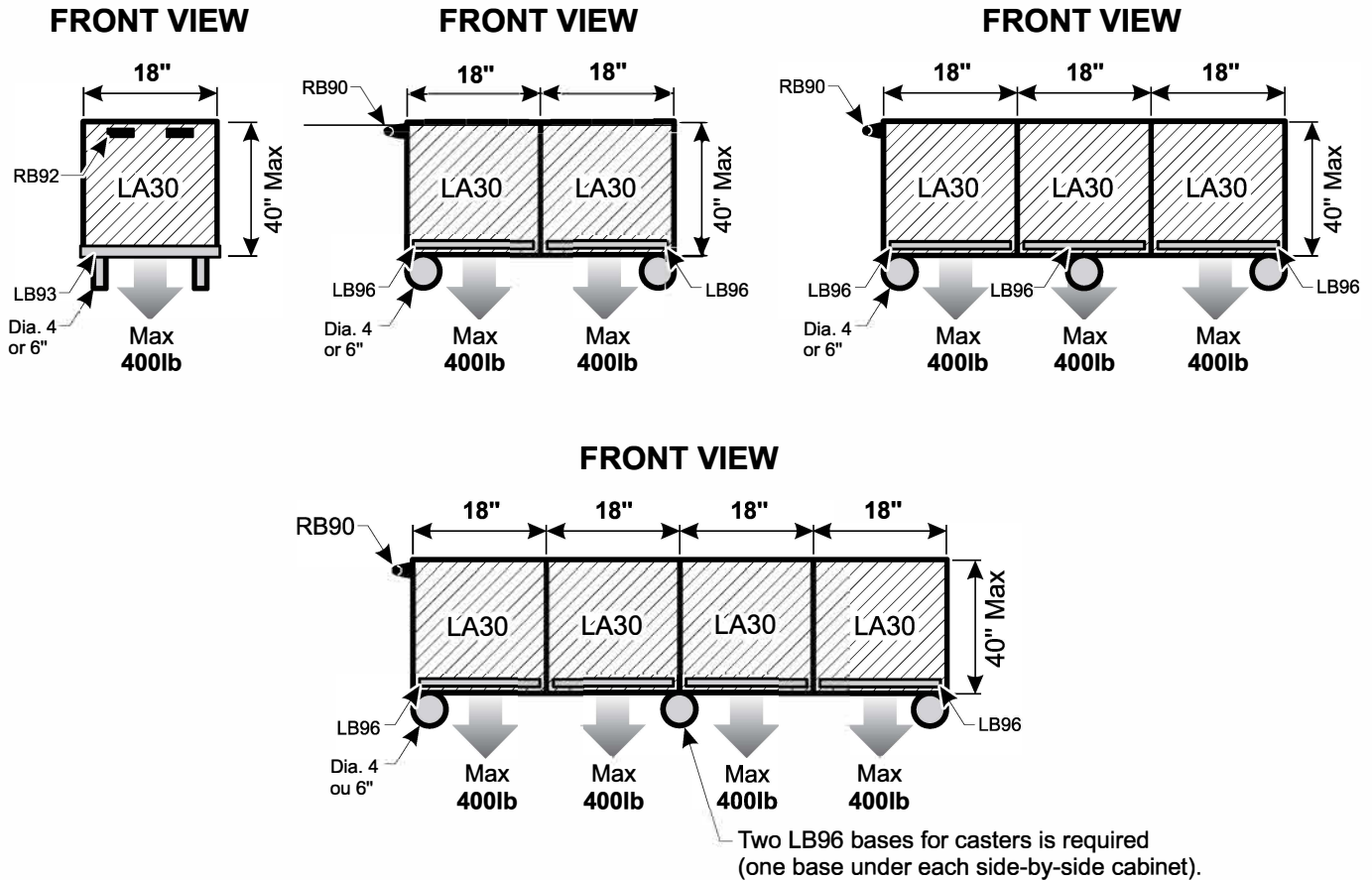
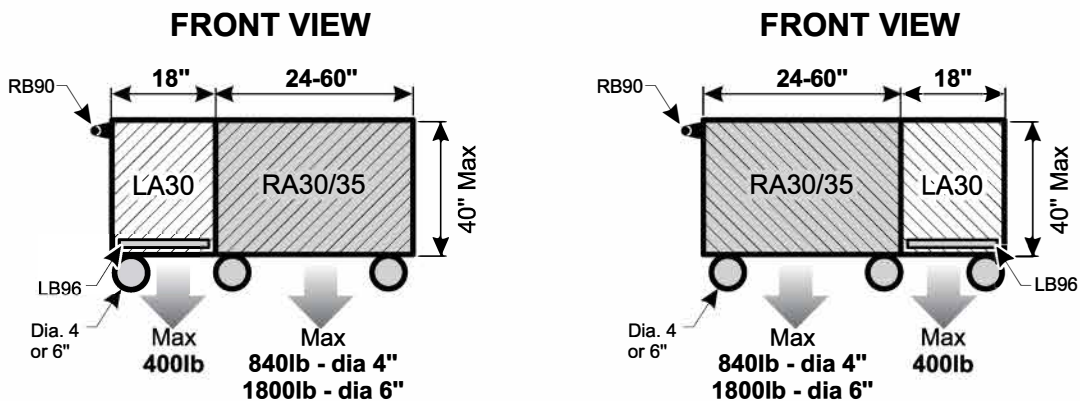


Make sure that you have the latest version before using this document.

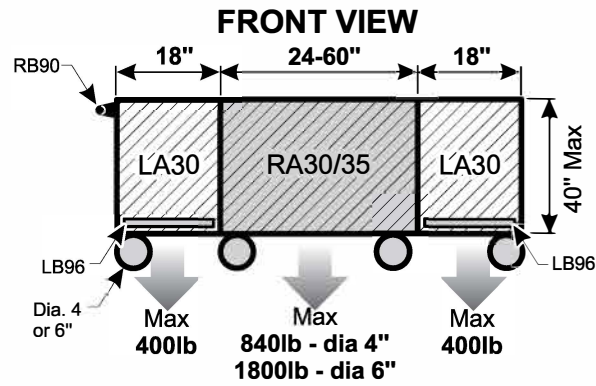
Configurations and capacities - L Line Mobile side-by-side cabinets



Configurations and capacities - L & R Line Mobile side-by-side cabinets



Configurations and capacities - L & R Line Mobile side-by-side cabinets... continue



Configurations and capacities - L Line Mobile cabinet with workstation

IMPORTANT : Please refer to the technical document W54 to know the capacities for cabinet with workstation.

