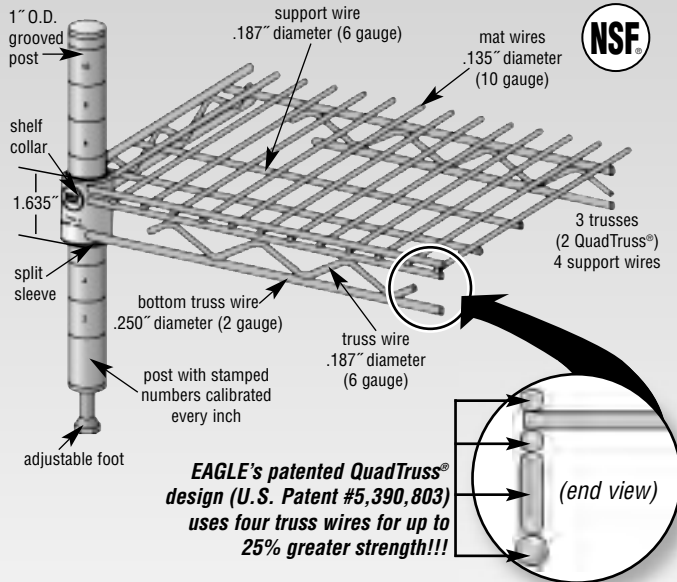


# OTHERS' WIRE SHELVES COMPARED TO EAGLE GROUP'S...

(18" x 60" shelves shown)

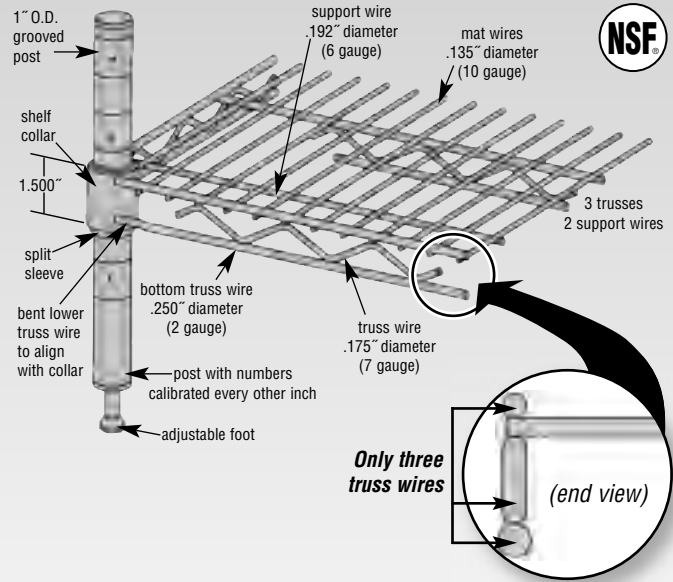
## EAGLE GROUP's shelves...

...incorporate more perimeter and interior serpentine trusses and mat continuity support wires than any competitive shelves.



## Metro and most imported shelves...

...incorporate both perimeter and interior serpentine trusses and mat continuity support wires, but fewer than EAGLE GROUP's.



**Eagle Group has the strongest wire shelf in the industry—no matter how you stack it!**

## SHELF AND POST FINISHES AVAILABLE

### Stainless Steel Finish—OUR BEST!

Stainless Steel

- NSF-listed for all environments.
- Type 304 stainless steel.

NOTE: Stainless steel shelving is electropolished.

15-YEAR LIMITED WARRANTY

### EAGLEgard® Hybrid Epoxy

Zinc Chloride  
Clear Chromate  
MasterSeal® Sealer  
Blue Green (translucent)  
- hybrid epoxy with MICROGARD®\*

- NSF-listed for all environments.
- Zinc chloride plating followed by clear chromate plating with MasterSeal® Sealer and a hybrid epoxy final coat.

15-YEAR LIMITED WARRANTY

### Valu-Gard® Green Epoxy

Phosphate Conversion Coating  
MasterSeal® Sealer  
Green (opaque)  
- hybrid metallic epoxy

- NSF-listed for wet or dry storage environments.
- Phosphate conversion coating followed by green hybrid epoxy coating.

5-YEAR LIMITED WARRANTY

### VALU-MASTER® Gray Epoxy

Phosphate Conversion Coating  
MasterSeal® Sealer  
Pewter Gray Epoxy

- NSF-listed for wet or dry storage environments.
- Phosphate conversion coating followed by metallic gray epoxy coating.

5-YEAR LIMITED WARRANTY

### Chrome Finish

Bright Nickel  
Chrome  
Air-dry Lacquer

- NSF-listed for dry storage environments.
- Bright nickel plating followed by chrome plating.

NOTE: Optional clear hybrid epoxy, NSF-listed for all environments, is available.

1-YEAR LIMITED WARRANTY

### EAGLEbrite® Zinc

Zinc chloride  
Clear Chromate  
MasterSeal® Sealer

- NSF-listed for dry storage environments.
- Bright zinc chloride plating followed by clear chromate plating with MasterSeal® sealer for improved rust protection.

NOTE: Wire shelves feature MasterSeal® Sealer. NSF-listed for all environments.

3-YEAR LIMITED WARRANTY

### \* MICROGARD®...

...is an antimicrobial agent which contains built-in protection to retard the growth of a broad range of bacteria, mold and mildew on shelf surface that causes stains, odors and degradation.

...combines inorganic antimicrobial silver ions with a patented delivery system. The silver ions react with bacteria in three ways:

- 1) suffocates the cell,
- 2) stops the cell reproduction system,
- and 3) stops the cell from growing.

...is standard on all EAGLEgard® shelving.