



Profit from the Eagle Advantage®

Specification Sheet

Short Form Specifications

Solid Gowning Benches: 9"- and 12"-wide 300 series stainless solid benches. #4 brush or electropolished finish. Flanged foot plates. 36" to 84" length. 90° downturn on each end.

Wire Gowning Benches: 14"-deep wire bench in 36" to 72" length. 62% laminar flow. Electropolished stainless or chrome plated. Triangular foot plates mounted to 1"-diameter legs.

Gowning Benches with Standard Undersheff: 18"-wide, 300 series stainless steel, 36" to 72" in length. #4 brush finish or electropolished seat. Solid or perforated seat. 3/4" x 1" centered perforation pattern. 18"-tall posts with triangular foot plates. One 14"-wide undersheff is standard, with additional shelves optional.



solid gowning bench



wire gowning bench



gowning bench with standard undersheff and perforated seat, shown with additional undersheff and dividers

Item No.:	_____
Project No.:	_____
S.I.S. No.:	_____

Gowning Benches

MODELS:

- | | | |
|---------------------------------|----------------------------------|--------------------------------|
| <input type="checkbox"/> CRB09* | <input type="checkbox"/> W14* | <input type="checkbox"/> 1436S |
| <input type="checkbox"/> CRB12* | <input type="checkbox"/> PCR18* | <input type="checkbox"/> 1448S |
| <input type="checkbox"/> CRB18* | <input type="checkbox"/> SD14-4S | <input type="checkbox"/> 1460S |

* See charts on back for complete model numbers.

Solid Gowning Benches

- Seats: Front and rear feature a rolled edge, with ends turned down 90°. 14 gauge type 304 stainless steel. Stainless steel channels run underside for added stability. 500-lb. (227 kg) weight capacity.
- Legs: 1 1/2" (41mm)-diameter, 17" (432mm) high, 16 gauge type 304 stainless steel. 12"-wide benches, that are 72" (1829mm) and longer, consist of six legs. Legs joined by stainless steel front-to-back crossbracing. Legs recessed in gussets that are joined to channels that run underside seat.
- Foot plates: Heavy gauge stainless steel, flanged. Allows for bench to be bolted to floor if desired.

Wire Gowning Benches

- Seats: 14" (356mm) wide.
- Legs: 1" (25mm) diameter posts, 18" (457mm) high, 16 gauge type 304 stainless steel.
- Foot plates: 13 gauge stainless steel, triangular. Allows for bench to be bolted to floor if desired.
- Channel frame: 1" (25mm)-square channel, 14 gauge stainless steel.

Gowning Benches with Standard Undersheff

- Seats: Front and rear feature a rolled edge, with ends turned down 90°. Electropolished and stainless steel finish available on all seats. 500-lb. (227 kg) weight capacity.
 - Perforated seats: 18" (457mm) wide. 3/4" (19mm) perforations on 1" (25mm) centers, allowing a 40% laminar flow.
 - Solid seats: 18" (457mm) wide. 14 gauge type 304.
- Legs: 1" (25mm) diameter posts, 18" (457mm) high, 16 gauge type 304 stainless steel. 72" (1829mm) benches consist of six legs.
- Foot plates: 13 gauge stainless steel, triangular. Allows for bench to be bolted to floor if desired.
- Undersheff: Features patented Quad-Truss® design (patent #5,390,803). 14" x 36" (356 x 914mm) wire shelf, type 304 stainless steel. 72" (1829mm) benches consist of two 14" x 36" (356 x 914mm) wire shelves with S-hooks.



CUSTOM PRODUCTS & SERVICES

6286 Claude Way E, Inver Grove Heights, MN 55076-4435
PH: 888-444-1202 (Toll Free) or 651-452-0113 Fax: 651-452-2264

E-mail: Info@custom-products.com
Website: www.custom-products.com

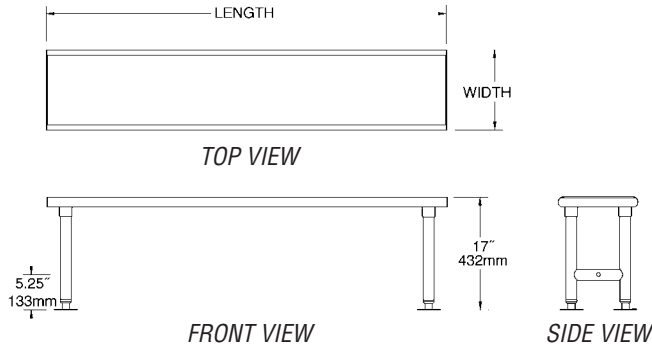


Profit from the Eagle Advantage®

Item No.: _____
 Project No.: _____
 S.I.S. No.: _____

Gowning Benches

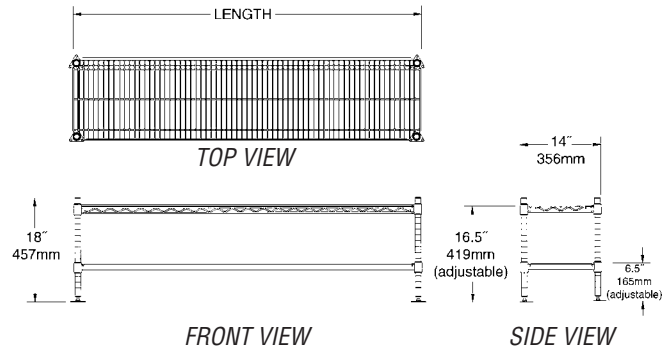
Solid Gowning Benches



electropolished model #	stainless steel model #	width in.	width mm	length in.	length mm	weight lbs.	weight kg
CRB0936EP	CRB0936	9"	229	36"	914	26	11.8
CRB0948EP	CRB0948	9"	229	48"	1219	32	14.5
CRB0960EP	CRB0960	9"	229	60"	1524	39	17.6
CRB0972EP	CRB0972	9"	229	72"	1829	46	20.9
CRB1236EP	CRB1236	12"	305	36"	914	30	13.6
CRB1248EP	CRB1248	12"	305	48"	1219	40	18.1
CRB1260EP	CRB1260	12"	305	60"	1524	50	22.7
CRB1272EP *	CRB1272 *	12"	305	72"	1829	60	27.2
CRB1284EP *	CRB1284 *	12"	305	84"	2134	70	31.8

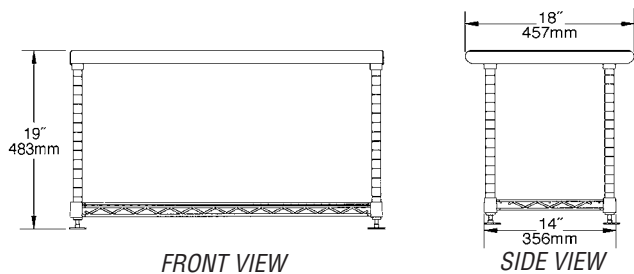
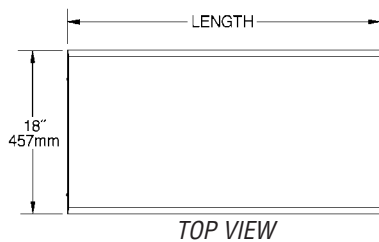
* Comes with six legs.

Wire Gowning Benches



chrome model #	stainless steel model #	width in.	width mm	length in.	length mm	weight lbs.	weight kg
W1436-GBC	W1436-GBS	14"	356	36"	914	15	6.8
W1448-GBC	W1448-GBS	14"	356	48"	1219	19	8.6
W1460-GBC	W1460-GBS	14"	356	60"	1524	25	11.3
W1472-GBC	W1472-GBS	14"	356	72"	1829	30	13.6

Gowning Benches with Standard Undershelf



with Perforated Seat		with Solid Seat		width in.	width mm	length in.	length mm	weight lbs.	weight kg
electropolished model #	stainless steel model #	electropolished model #	stainless steel model #						
PCRB1836EP	PCRB1836	CRB1836EP	CRB1836	18"	457	36"	914	38	17.2
PCRB1848EP	PCRB1848	CRB1848EP	CRB1848	18"	457	48"	1219	43	19.5
PCRB1860EP	PCRB1860	CRB1860EP	CRB1860	18"	457	60"	1524	49	22.0
PCRB1872EP	PCRB1872	CRB1872EP	CRB1872	18"	457	72"	1829	55	24.9

Options for Gowning Benches with Standard Undershelf

Stainless Steel Dividers

model #	length in.	length mm	height in.	height mm	weight lbs.	weight kg
SD14-4S	14"	356	4"	102	0.8	0.4

Additional Stainless Steel Undershelves*

model #	width in.	width mm	length in.	length mm	weight lbs.	weight kg
1436S *	14"	356	36"	914	8	3.6
1448S	14"	356	48"	1219	10	4.6
1460S	14"	356	60"	1524	14	6.4

* Two #1436S undershelves required for 72" (1829mm)-long benches.



CUSTOM PRODUCTS & SERVICES
 6286 Claude Way E, Inver Grove Heights, MN 55076-4435
 PH: 888-444-1202 (Toll Free) or 651-452-0113 Fax: 651-452-2264

E-mail: Info@custom-products.com
 Website: www.custom-products.com