

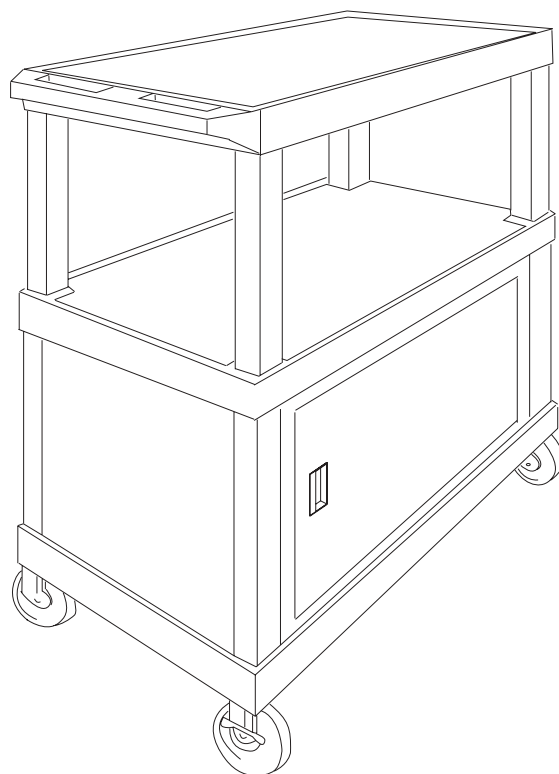
# TECHNICAL DATA SHEET - Adjustable Height Video Cart

**MODEL: JCT-P2642CE**

This Adjustable Height Video Cart is easy to assemble and move with its ergonomically designed, easy to grip handle. Its height adjustment option and a locking cabinet makes this cart ideal for use and transportation of audiovisual equipment for various high-traffic applications. The built-in, recessed three outlet electrical strip with cord management wrap provides this cart with greater maneuverability. Constructed from injection molded thermoplastic, this cart will not chip, warp, rust, crack, or peel. Its silent roll casters easily and quietly roll over various surfaces. This Adjustable Height Video Cart is ideal for use in schools, libraries, media centers, hotels, and offices.

#### **Features:**

- Color: Black
- Easy to assemble
- Adjustable height from 26", 34", and 42"
- Constructed of injection molded thermoplastic that will not peel, rust, crack, chip, or warp
- Shelves and legs are constructed of recyclable material
- 4" Silent-Roll ball bearing casters allow carts to easily roll over tile, hardwood floors, concrete, and carpet
- Includes locking cabinet with keys
- Includes electrical strip with cord management wrap
- Lifetime Warranty



#### **Dimensions:**

##### **Weight:**

**42.00 lb (19.1 kg)**

##### **Shipping weight:**

**48.00 lb (21.8 kg)**

##### **Maximum Load Capacity:**

**200 lb (90.7 kg) evenly distributed**

##### **Shipping Carton dimensions:**

**L= 26.75 in (679 mm)**

**W= 18.00 in (457 mm)**

**H= 9.125 in (232 mm)**

**Custom Products & Services, Inc.** 

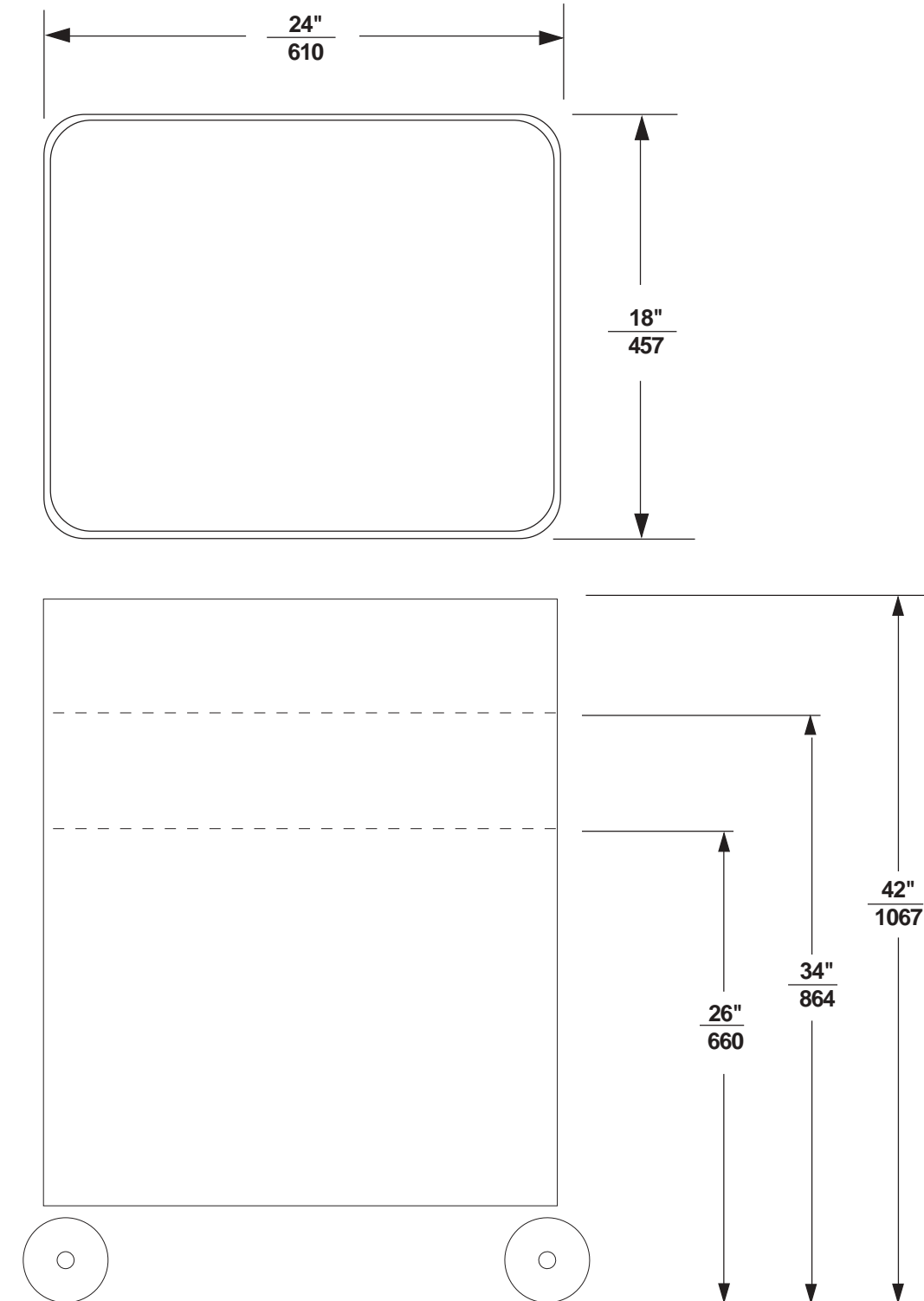
6140 Claude Way E.,  
Inver Grove Hts., MN. 55076  
PH: 888-444-1202 FAX: 651-452-2264  
E-Mail: [info@custom-products.com](mailto:info@custom-products.com)  
Website: [www.custom-products.com](http://www.custom-products.com)

## ARCHITECTS SPECIFICATIONS

The Adjustable Height Video Cart shall be a model **JCT-P2642CE** and shall be located where indicated on the plans. It shall be constructed of injection molded thermoplastic. Assembly and installation shall be done according to instructions provided by the manufacturer.

TECHNICAL DATA SHEET

MODEL: JCT-P2642CE



ISSUED: 06-22-05 SHEET NO: 009-9525-1

