

# Installation and Assembly - Wall Arm for Jumbo Mounts

Models:  
WMJ 018S,  
WMJ 022S

Before you start make sure all parts shown below are included with your bracket.

For use only to support Jumbo Mount TV Brackets or other products as specified by Peerless. Combine only as specified (see specifications below).



This product is intended for use with UL Listed products and must be installed by a qualified professional installer.

**IMPORTANT!** Read entire instruction sheet before you start installation and assembly.

## ⚠ WARNING

- Installer must verify that the wall will safely support four times the combined weight of all attached equipment and hardware.

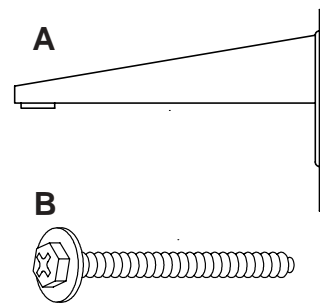
## ⚠ WARNING

- Never mount this product to metal studs.

### PARTS LIST Wall Arm for Jumbo Mounts

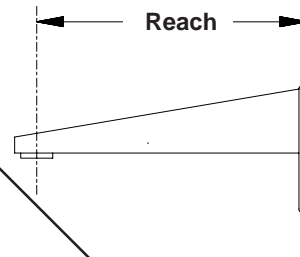
QTY.	DESCRIPTION	MODEL NUMBER/ PART NUMBER	
		WMJ 018S	WMJ 022S
A 1	wall arm	128-4059	128-4069
B 3	#14 x 2.5" (6 mm x 65 mm) wood screw	5S1-015-C04	5S1-015-C04

Wall Arms include #14 x 2.5" (6 mm x 65 mm) wood screws. For attachment to solid concrete, cinder block, or brick order accessory kit **ACC 203**



### WALL ARM FOR JUMBO MOUNTS - SPECIFICATIONS

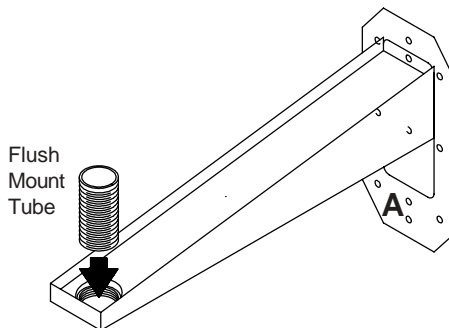
Model Number	Reach	Max. Load Capacity		Compatible Jumbo Mount Models
		Concrete	Wood	
WMJ 018S	18" (457 mm)	150 lb (68 kg)	125 lb (57 kg)	JM 2630S, JM 2640S, JM 2640DS
WMJ 022S	22.5" (571 mm)	150 lb (68 kg)	125 lb (57 kg)	JM 2630S, JM 2640S, JM 2640DS, JM 2650S, JM 2650DS, JM 2655S



## ⚠ WARNING

- Weight of TV or monitor not to exceed maximum load capacity!

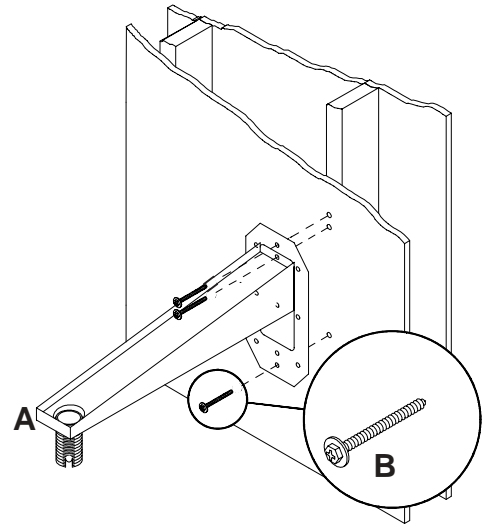
**1** From the top thread the Flush Mount Tube (included with your Jumbo Mount Bracket) through threaded fitting in wall arm (A).



- 2** For Wood Stud Walls drill three 5/32" (4 mm) dia. holes to a minimum depth of 2.5" (64 mm) into **stud center**. Attach wall arm using 3 #14 x 2.5" (6 mm x 65 mm) wood screws (B).

## ⚠ WARNING

- Tighten wood screws so that wall plate is firmly attached, but do not overtighten. Overtightening can damage the screws, greatly reducing their holding power.
- Never tighten in excess of 80 in • lb (9 N.M.).
- Make sure that mounting screws are anchored into the center of the studs. The use of an "edge to edge" stud finder is highly recommended.



- 3** For Concrete Walls Order ACC 203 drill three 5/16" (8 mm) dia. holes to a minimum depth of 1 3/4" (45 mm). Attach using concrete expansion anchors as shown in 1, 2, and 3 (right).

## ⚠ WARNING

- Tighten wood screws firmly, but do not overtighten. Overtightening can damage the screws, greatly reducing their holding power.
- Never tighten in excess of 80 in • lb (9 N.M.).

## ⚠ WARNING

- Concrete anchors are **not** intended for attachment to concrete wall covered with a layer of plaster, drywall, or other finishing material. If mounting to concrete wall covered with plaster/drywall is unavoidable, plaster/drywall (up to 5/8" thick) must be counterbored as shown below. If plaster/drywall is thicker than 5/8", custom fasteners must be supplied by installer.

