



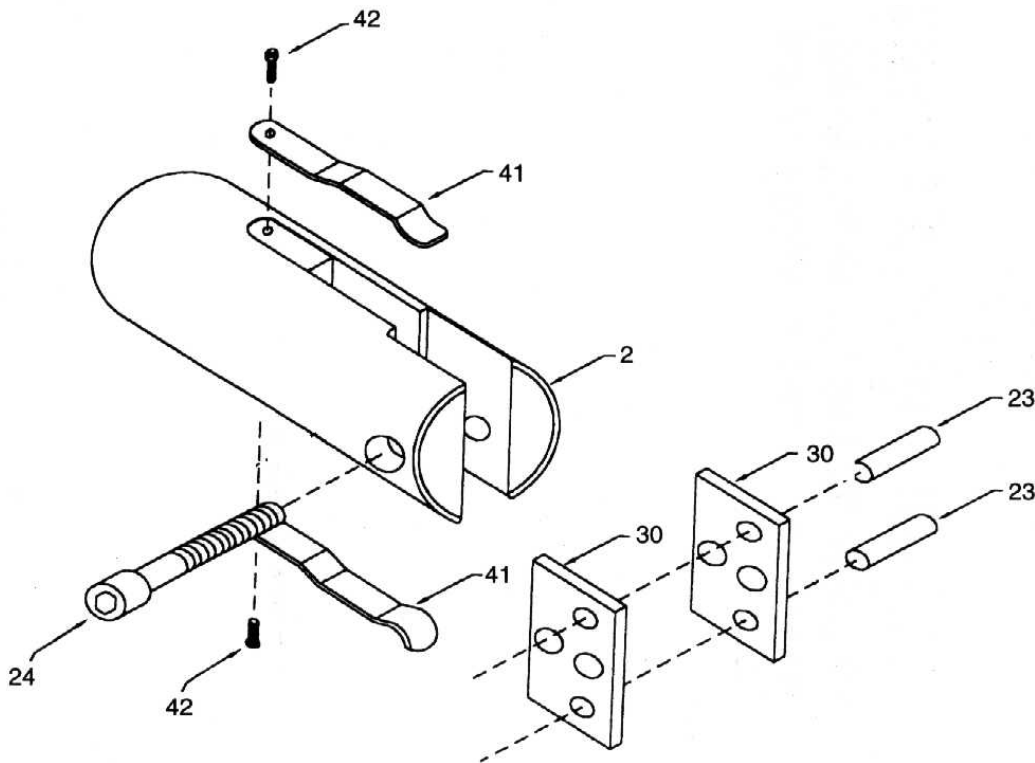
**Custom Products & Services, Inc.**  
**6140 Claude Way E.**  
**Inver Grove Heights, MN. 55076**

PH: 888-444-1202 (Toll Free) or 651-452-0113 FAX: 651-452-2264

E-MAIL: [info@custom-products.com](mailto:info@custom-products.com)  
 WEBSITE: [www.custom-products.com](http://www.custom-products.com)

*"Your source for workplace solutions"*

**SA-2 JAW HOUSING**



**PARTS LIST FOR THE NO. 3 JAW HOUSING FOR  
 SP-001, SP-002, SP002.5, SP-003, SP-004, SP-005, SP-006, SP-008**

ITEM	DESCRIPTION	PART#
SA-2	JAW HOUSING ASSEMBLY COMP	SA-2
2	#3 JAW HOUSING	3-2
23	PIVOT PIN	3.23
24	JAW ASSEMBLY MOUNT SCREW	3-24
30	SIDE PLATE	3-30
41	EXTERNAL JAW SPRING	3-41
42	MOUNT SCREW	28-01