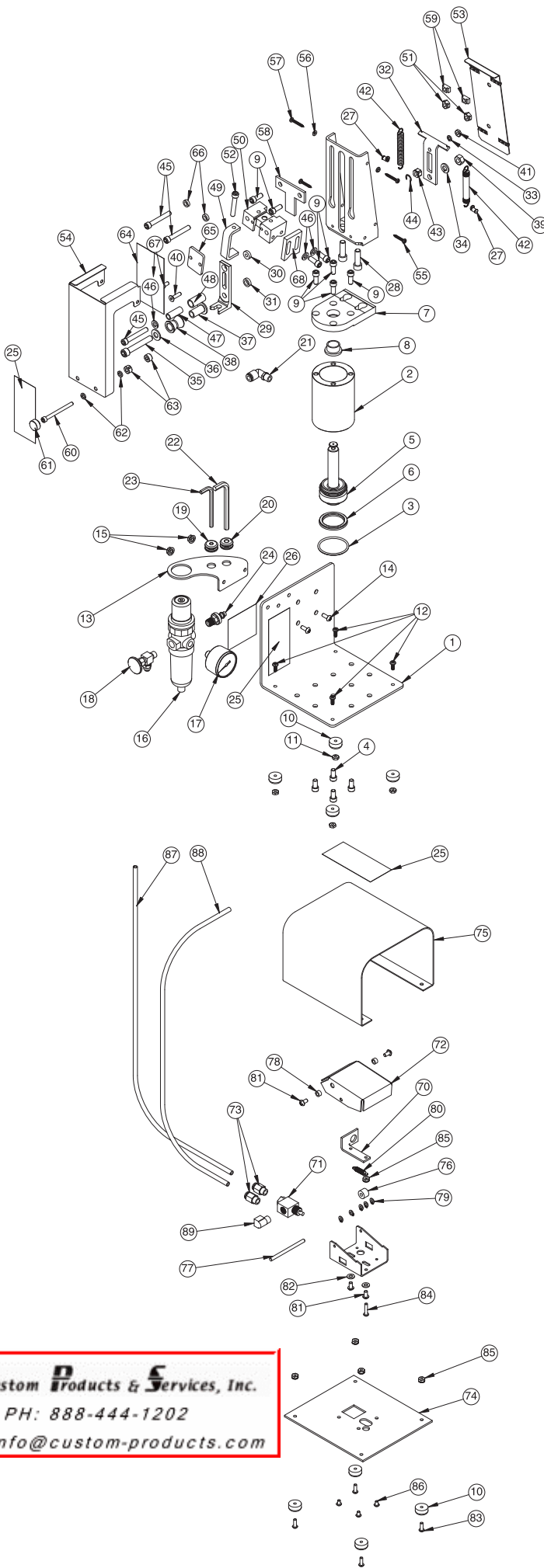


HANDWORKER REPLACEMENT PARTS LIST



ITEM NO.	QTY.	PART NO.	DESCRIPTION
1	1	008-018	BASE
2	1	008-001	CYLINDER BARREL
3	1	022-224	O-RING
4	4	002-107	1/4-20 X 1/2 SHCS BLK
5	1	008-002	PISTON
6	1	022-217	U-CUP SEAL
7	1	008-003	CYLINDER TOP
8	1	022-216	FLANGED BUSHING
9	8	002-489	1/4-20 X 5/8 SHCS BLK
10	8	002-036	RUBBER MOUNTING FOOT
11	4	002-064	NUT, #8-32 HEX Z/P
12	4	022-248	8-32 X 7/16 PAN HEAD SCREW
13	1	008-025	REGULATOR MOUNT
14	2	002-066	10-32 X 1/2 RHMS Z/P
15	2	002-204	NUT, #10-32 HEX WHIZ LOC Z/P
16	1	002-334	FILTER/REG.
17	1	022-233	0-120 PSI PRESSURE GAUGE
18	1	022-246	ANGLE NEEDLE VALVE
19	1	022-244	3/16 ID RUBBER GROMMET
20	1	022-245	1/4 ID RUBBER GROMMET
21	1	022-230	PUSH-IN MALE ELBOW
22	1	002-751	WRENCH, 1/4 SHORT ARM ALLEN
23	1	002-742	WRENCH, 3/16 ALLEN
24	1	002-361	BARB FITTING, 1/8 X 1/4
25	3	008-050	DECAL GLASSES SIMONDS
26	1	008-051	DECAL NAMEPLATE SIMONDS
27	1	008-502	SUPPORT WELDMENT
28	2	002-767	5/16-18 X 1 SHCS BLK.
29	1	008-005	SLIDE ANGLE
30	1	008-009	SPACER-TOP
31	1	008-008	SPACER-LOWER
32	1	008-013	SLIDE PLATE
33	1	022-251	#10 SPLIT LOCK WASHER
34	1	022-252	5/16 SPLIT LOCK WASHER
35	1	022-223	5/16-18 X 2 SHCS
36	1	022-221	STD 5/16 NARROW WASHER
37	1	008-006	SPACER-LOWER ROLLER
38	1	008-007	ROLLER-LOWER
39	1	002-283	NUT, 5/16-18 HEX Z/P
40	1	002-290	#10-32 X 3/4 FHMS
41	1	002-109	NUT, #10-32 HEX Z/P
42	2	008-019	EXTERNAL SPRING
43	1	008-010	1/4-20 UNC SQUARE NUT
44	1	022-247	EXTERNAL RETAINING RING
45	3	022-222	1/4-20 X 1 3/4 SHCS
46	3	022-234	WASHER .260 X .473 X .06
47	1	022-219	SPACER-TOP ROLLER
48	1	022-218	TOP ROLLER
49	1	008-024	C-CLAMP
50	1	008-004-MOD-A	MODIFIED TOP CLAMP
51	2	011-346	1/4-20 UNC T-NUT
52	1	022-253	1/4-20 X 1.5" FULL THREAD SHCS
53	1	008-015	BACK GUARD
54	1	008-012	FRONT GUARD
55	2	022-229	#6 X 7/8 SHEET METAL SCREW
56	2	022-215	PLASTIC FLANGED BUSHING
57	2	022-226	#6 X 1 SHEET METAL SCREW
58	1	008-023	STOP
59	2	008-022	NARROW T-NUT 1/4-20
60	1	022-273	10-24 X 2 1/4 SHCS
61	1	002-172	KNOB, PLASTIC
62	2	002-208	WASHER, .22 X .36 X .062
63	2	022-274	SHAFT COLLAR
64	1	008-052	DECAL CAUTION SIMONDS
65	1	008-049	CLAMP RETAINER
66	2	008-048	SPACER .257 X .420 X .125
67	2	002-217	#10-32 X 3/8 SHCS BLK
68	1	008-047	SLOTTED CANT PLATE
69	1	008-028	VALVE MOUNT BASE
70	1	008-027	VALVE MOUNT
71	1	022-241	AIR VALVE-N.C.
72	1	008-029	PEDAL
73	2	022-231	PUSH-IN MALE CONNECTOR
74	1	008-030	VALVE PLATE
75	1	008-026	GUARD TOP
76	1	022-242	ROLLER .194 X .50 X .38
77	1	008-031	PIN
78	2	022-070	BUSHING
79	5	022-243	GRIP RING
80	1	008-032	EXTENSION SPRING
81	4	002-065	#10-32 X 3/8 RHMS Z/P
82	2	022-264	WASHER .219 X .438 X .049
83	4	002-062	#8-32 X 1/2 RHMS
84	1	002-289	#8-32 X 3/4 RHMS Z/P
85	5	002-104	NUT, #8-32 HEXKEP Z/P
86	3	002-568	#8-32 X 1/4 RHMS Z/P
87	1	050-028	YELLOW TUBING 60"
88	1	050-029	BLACK TUBING 60"
89	1	002-387	STREET ELBOW



Custom Products & Services, Inc.
 PH: 888-444-1202
 E-Mail: info@custom-products.com