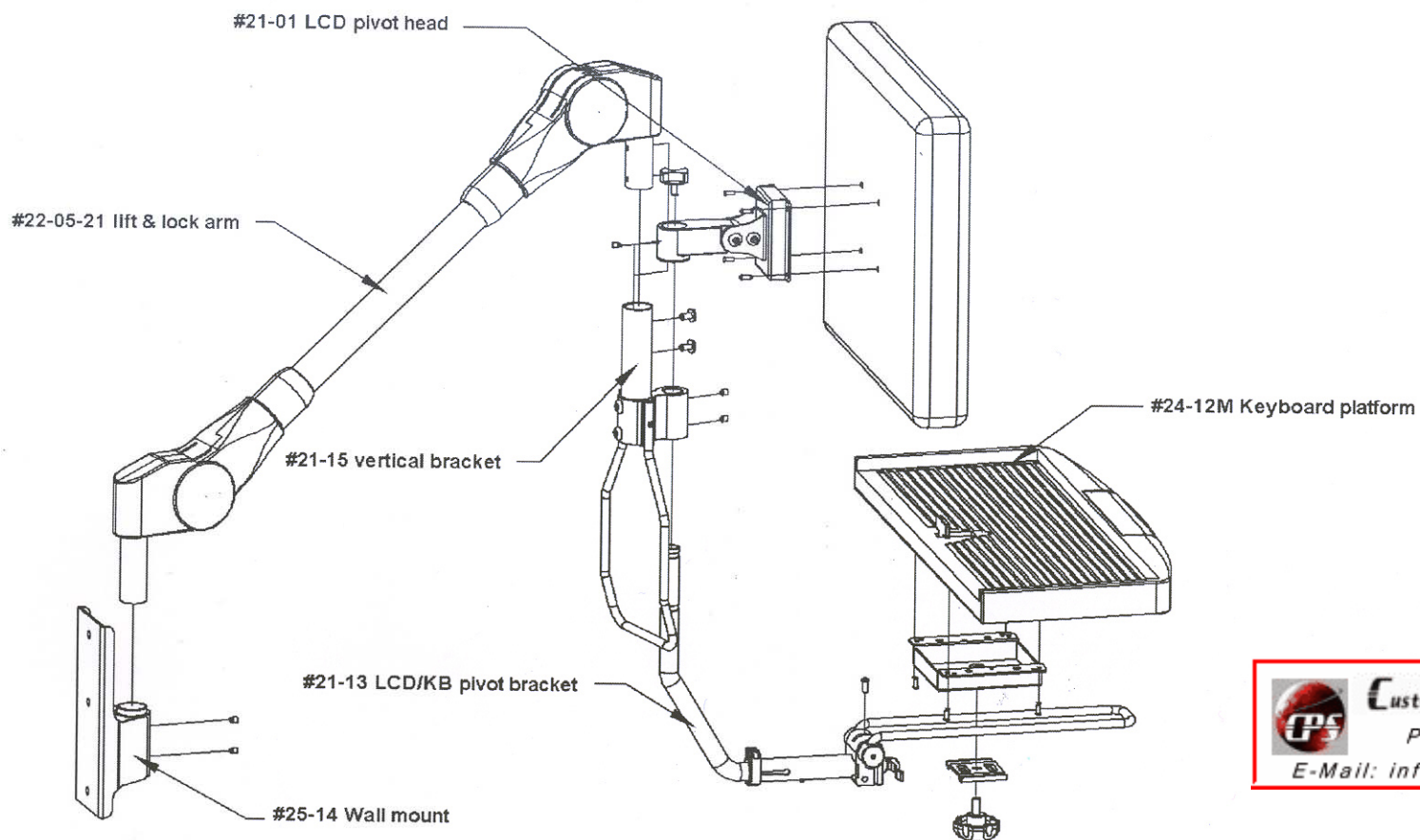


#60279 SERIES WALL MOUNT LCD/KB LOCKABLE ARM INSTALLATION GUIDE



 **Custom Products & Services, Inc.**
PH: 888-444-1202
E-Mail: info@custom-products.com