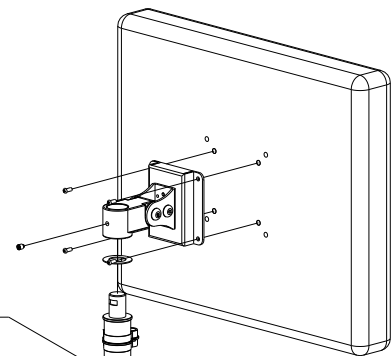


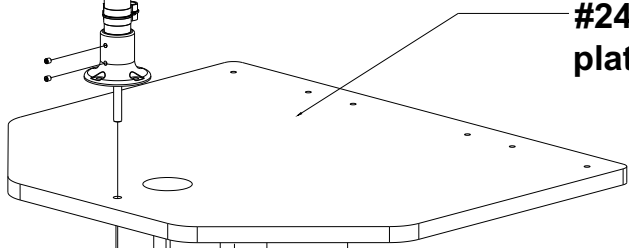
#60251 SERIES COMPUTER MOBILE CART INSTALLATION GUIDE



#60217T series LCD stand
(Optional)

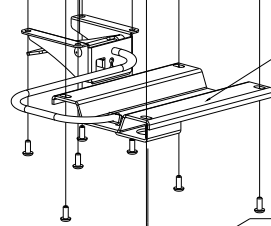


#24-50 series
platform

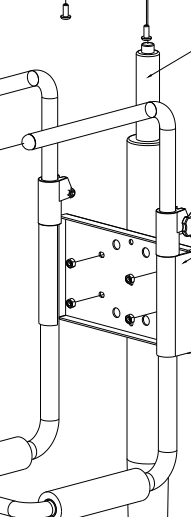


The caster base (#24-34), Telescoping pole (23-40-B) and platform (#24-50) are standard items with the 60251 cart. All other items shown are "options" and may be ordered as needed.

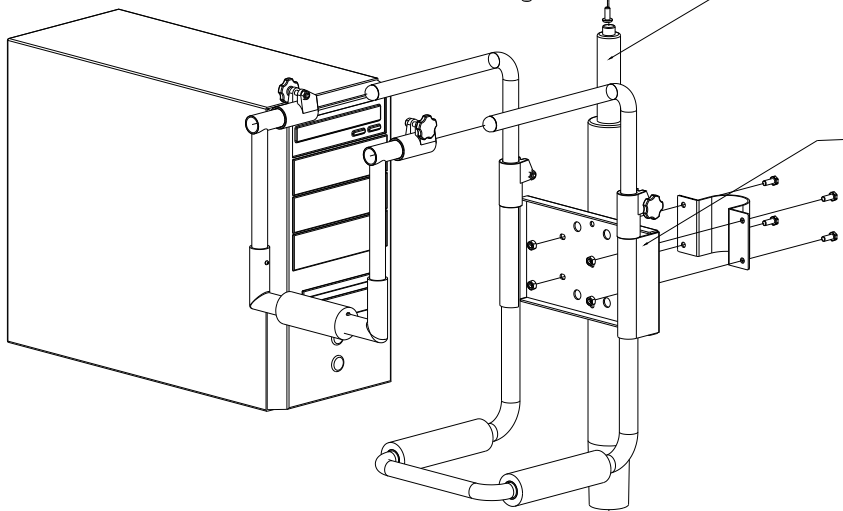
P24-50-01 bracket
& wire controller



#23-40B pneumatic
lift cylinder



#60606 series
CPU holder(Optional)



#25-34 series
mobile base

