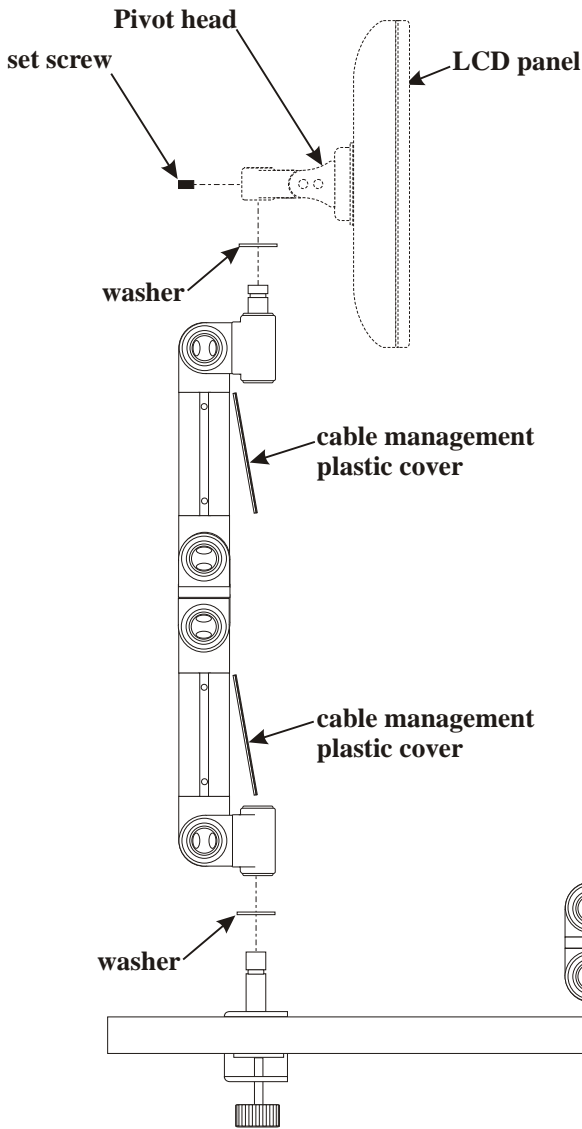
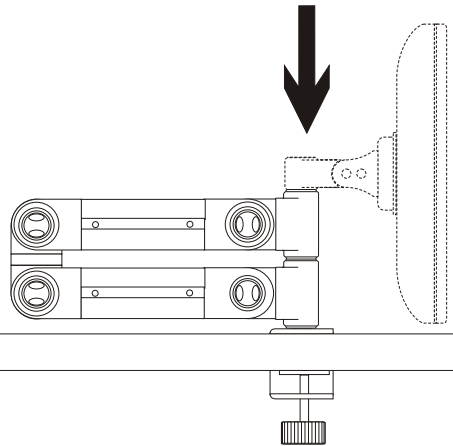


# #60228 SERIES FOLDABLE LCD RAISER USER GUIDE



### Important information:

- \* To install mounting bracket first.
- \* To mount the foldable arm on the bracket.
- \* Use a 3mm hex key wrench to turn the set screw slightly tight.
- \* To screw pivot head on the back side of LCD.
- \* To mount the pivot head and LCD on the swivel pin on the top of the forearm.
- \* Use a 3mm hex key wrench to turn the set screw slightly tight.



<p>#25-22 Grommet mount</p> <p>20</p>	<p>#25-25 Stationary base</p>	<p>#25-40 Pole clamp</p> <p>15 15 4</p>
<p>VESA 75mm to VESA 100mm conversion plate installation guide</p> <p>2 18 19 17 22</p>		<p>#25-12 Wall mount</p> <p>23 16 4</p>

### PARTS:

- 2. M4 x 10mm screw
- 4. Wall mount bracket
- 8. C-Clamp
- 15. Hex screw set
- 16. Anchor screw
- 17. M4 Nut
- 18. VESA 100mm conversion plate (optional)
- 19. Flat tape head screw
- 20. Grommet mount (3/8"bolt)
- 22. Your LCD panel
- 23. Arm swivel pin