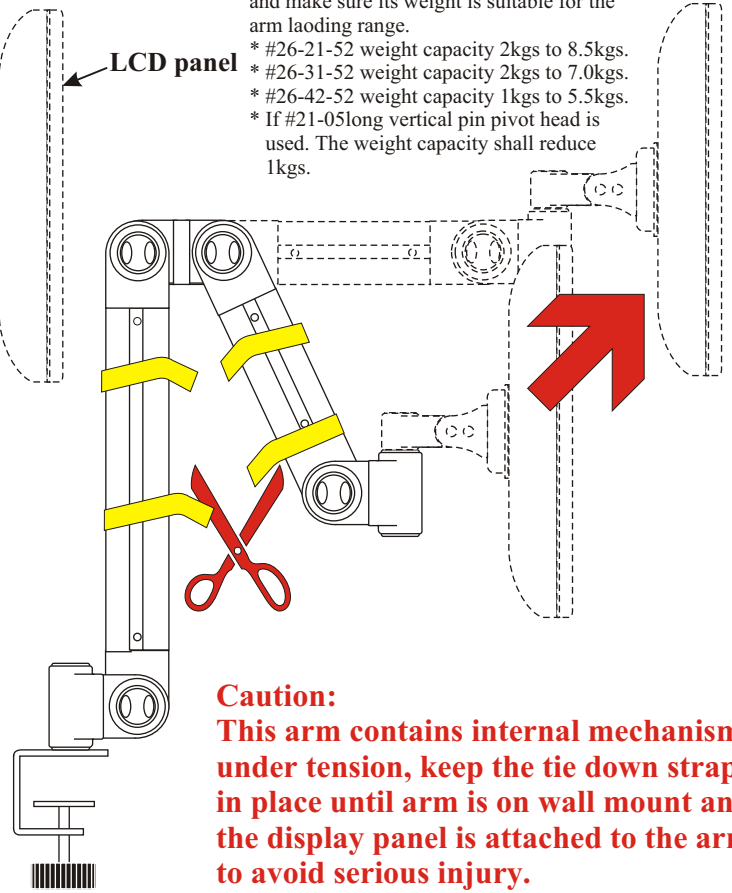
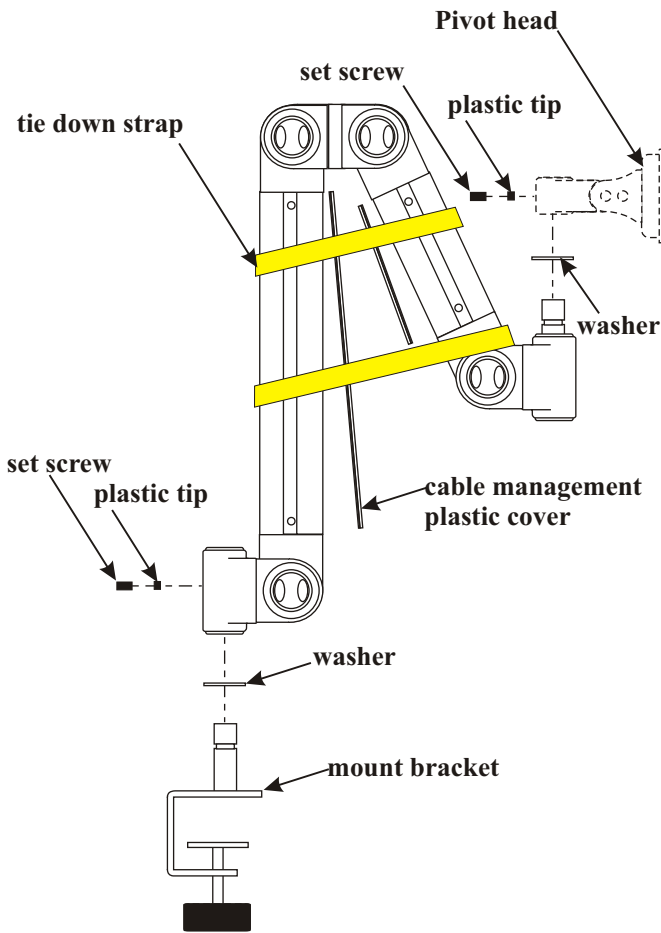


#60226 SERIES FOLDABLE LCD ARM USER GUIDE

Recommended load capacity

Please check the weight of your LCD panel and make sure its weight is suitable for the arm loading range.

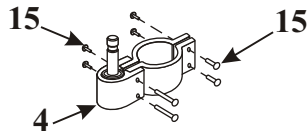
- * #26-21-52 weight capacity 2kgs to 8.5kgs.
- * #26-31-52 weight capacity 2kgs to 7.0kgs.
- * #26-42-52 weight capacity 1kgs to 5.5kgs.
- * If #21-05long vertical pin pivot head is used. The weight capacity shall reduce 1kgs.



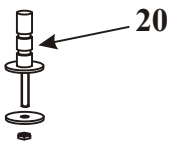
#25-25 Stationary base



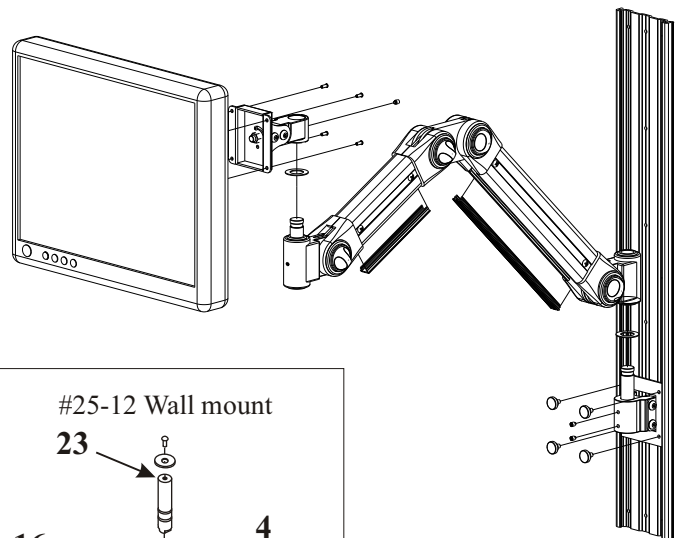
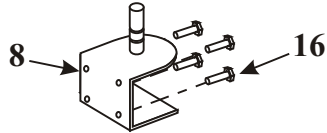
#25-40 Pole clamp



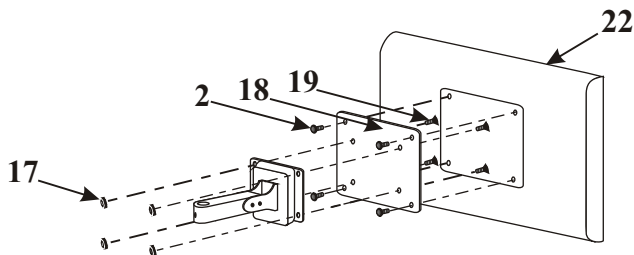
#25-22 Grommet mount



#25-01 2 in 1 mount



VESA 75mm to VESA 100mm conversion plate installation guide



#25-12 Wall mount

