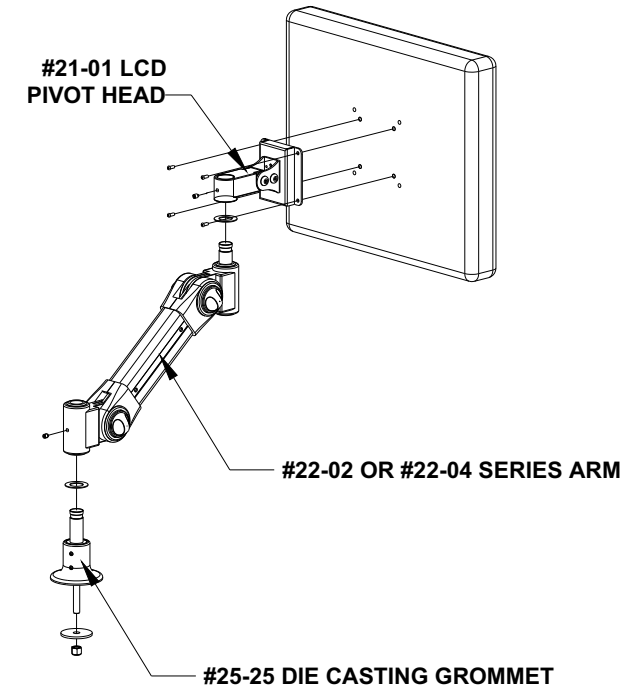
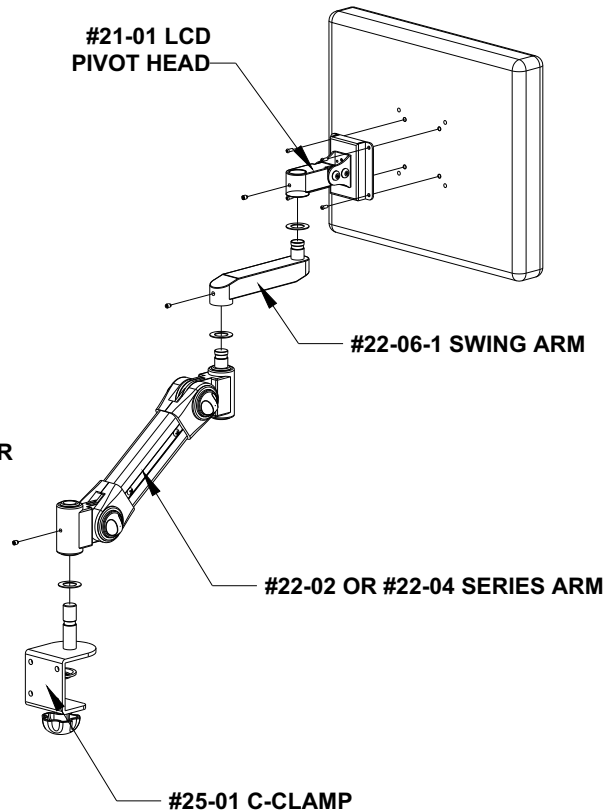
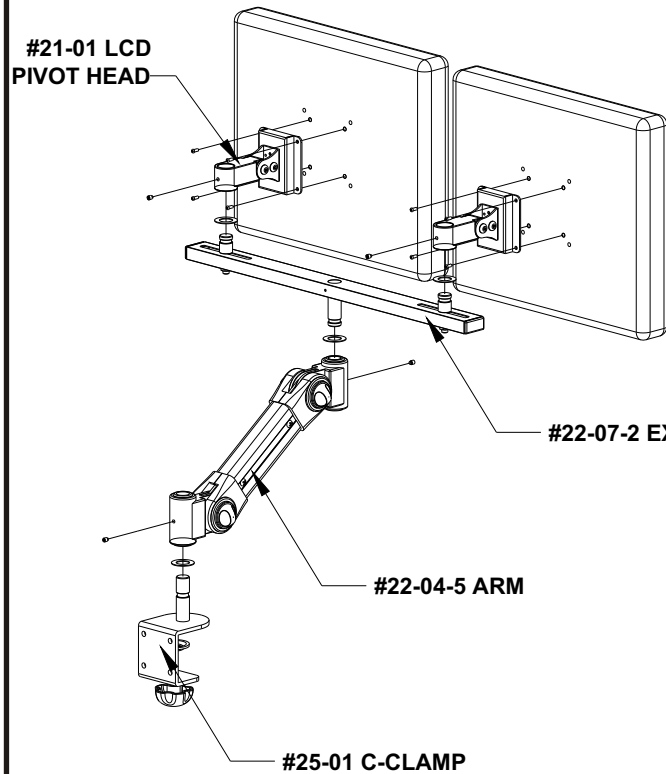


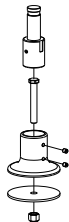
#60210/#60212/#60220 SERIES LCD ADJUSTABLE ARM INSTALLATION GUIDE



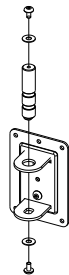
#25-22



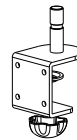
#25-25



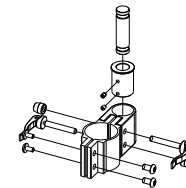
#25-12



#25-01



#25-40/#25-42 series
pole clamp



#25-44/#25-45
pole clamp

