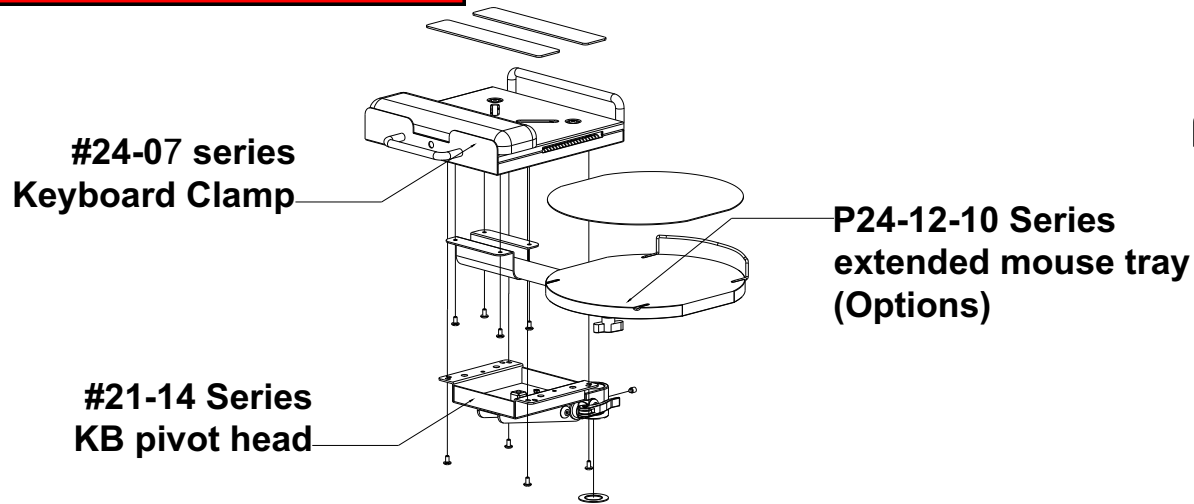
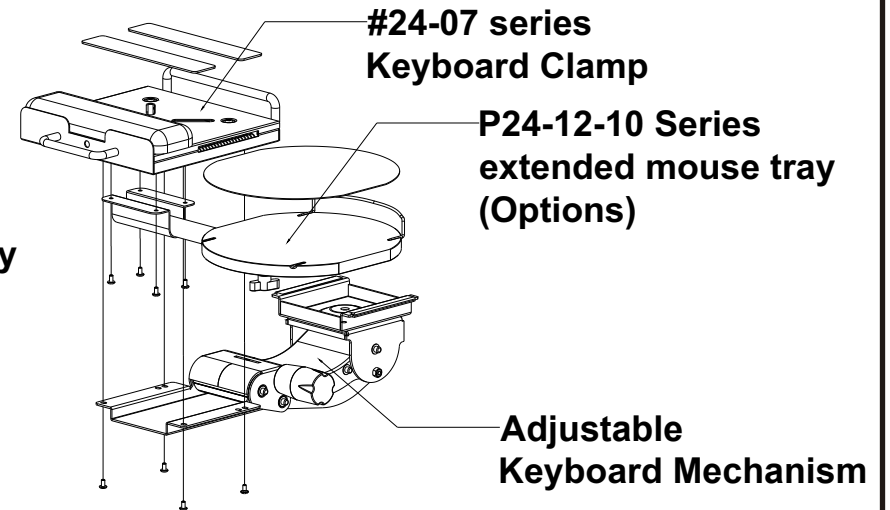


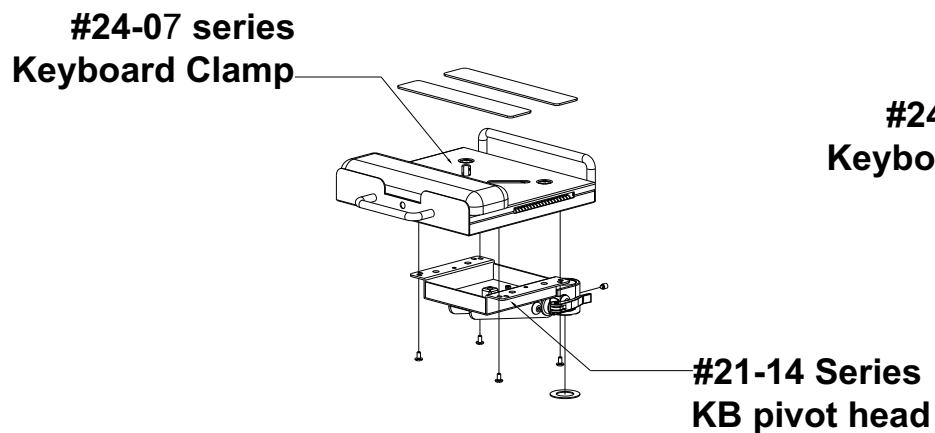
# #24-07 SERIES KEYBOARD CLAMP INSTALLATION GUIDE



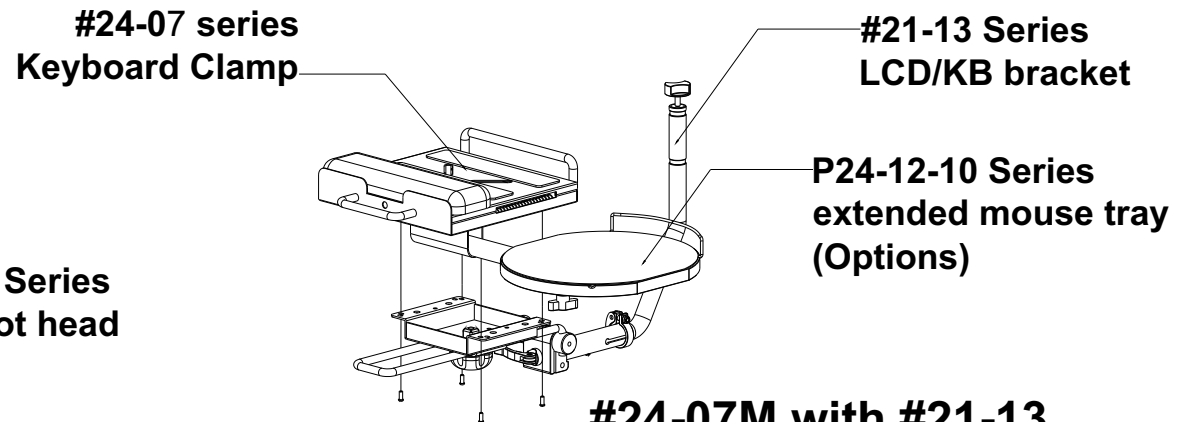
**#24-07M with #21-14**



**#24-07M with Keyboard arm**



**#24-07 with #21-14**



**#24-07M with #21-13**