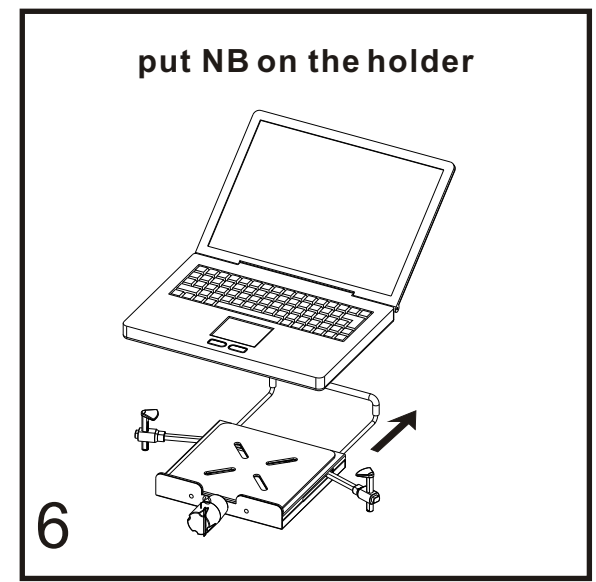
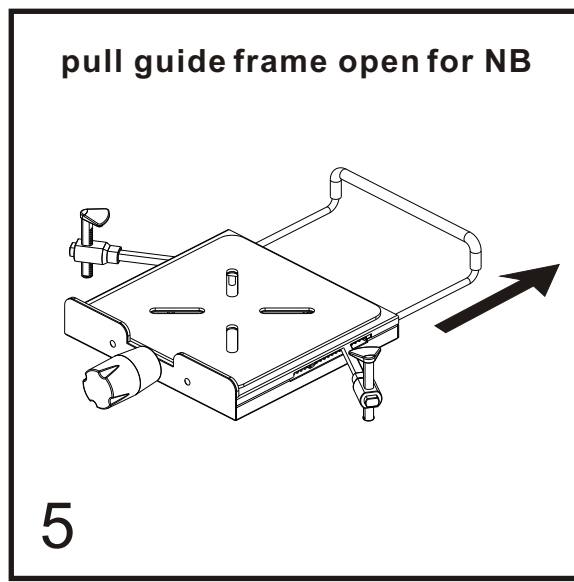
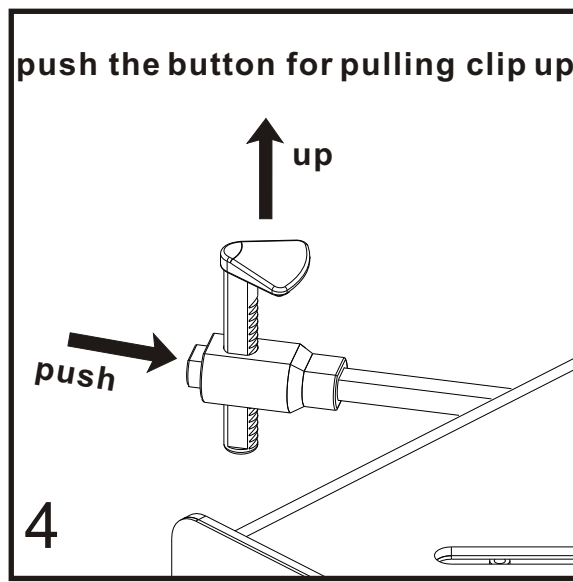
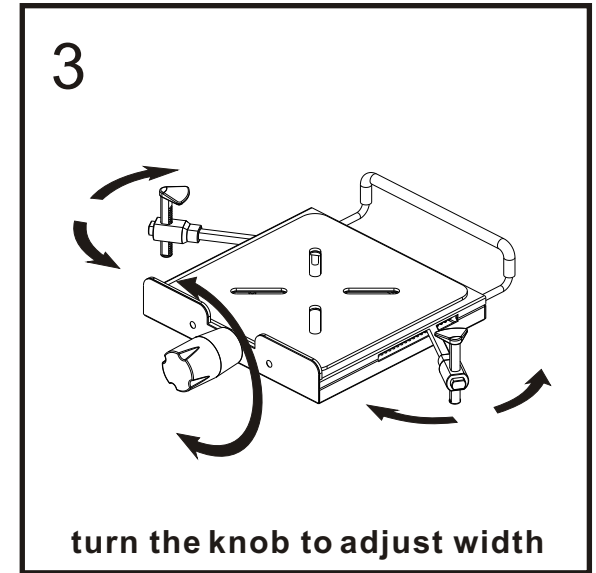
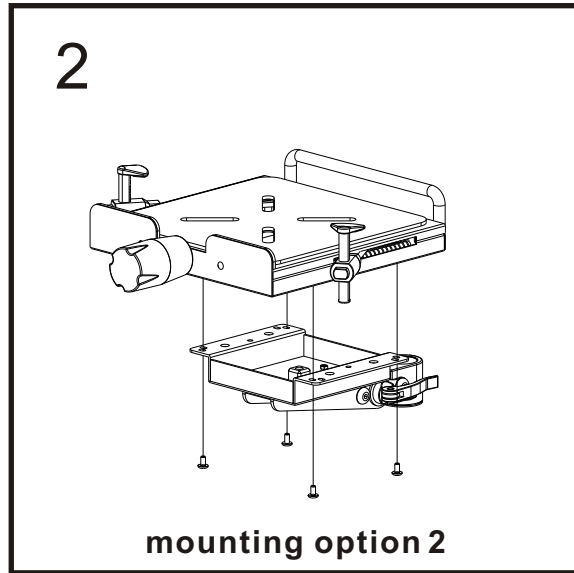
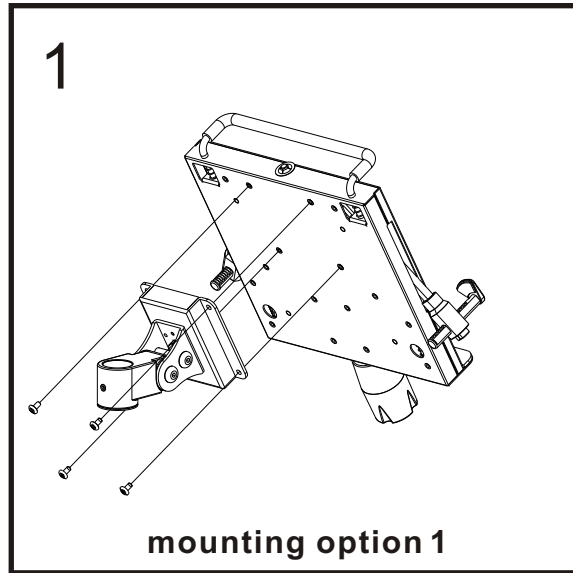


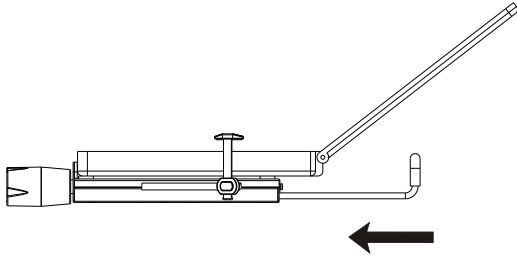


#24-06 NB HOLDER USER'S GUIDE



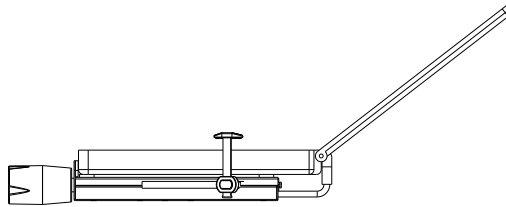
#24-06 NB HOLDER USER'S GUIDE

7



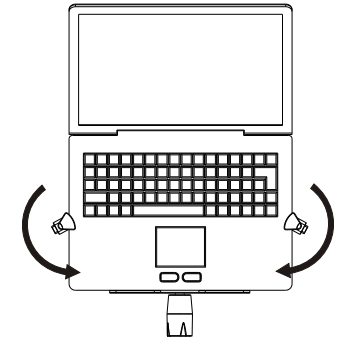
slowly release guide frame back

8



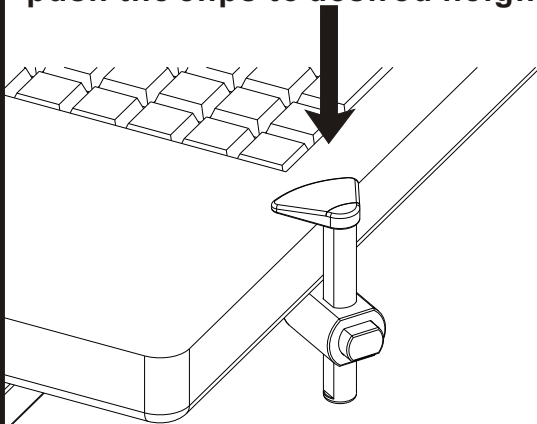
hold the NB in position

9



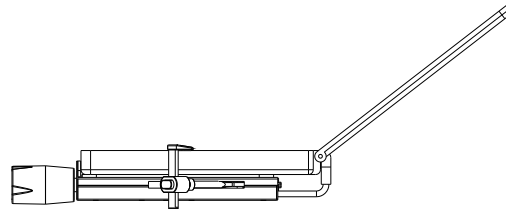
turn the knob to close the clips

push the clips to desired height



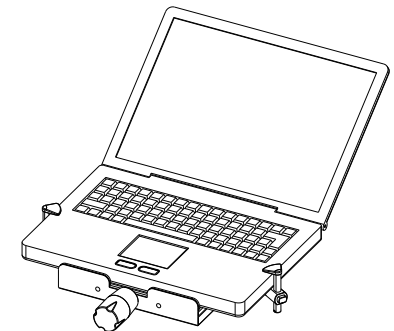
10

make sure NB is well fixed



11

adjust tilt for an ergo view angle



12